

Unwalkable Flush Ceiling GCR-230

- Fully flush ceiling system with hidden suspension system
- Pre-coated steel RAL 9010 (other RAL colors available)
- Module sizes ceiling panels are 600*600 mm and 600*1200 mm
- Surface completely smooth and flush
- Panels are individually removable
- Lighting fixtures integrated in the ceiling panels
- Easy integration of air inlet/outlet and Hepa boxes
- Pressure difference: 100 PA standard (adaptations)

Materials

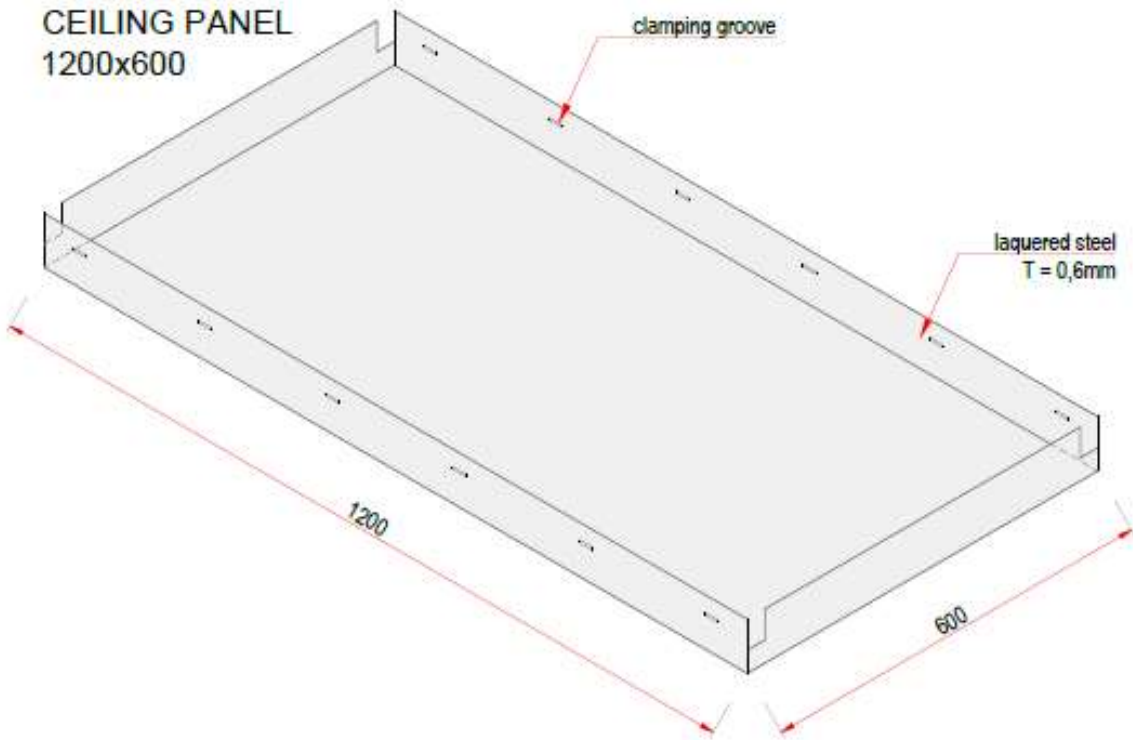
- Pre-coated steel 0.6 mm
- Galvanized hidden grid profiles
- Galvanized suspension parts & hangers
- PE-rubber
- Dow Corning anti-bacterial sealant (FDA approved)

Options

- Acoustic ceiling panels
- Other steel surfaces possible (Stainless steel 304/316, VHP resistant surfaces)
- Service hatch with rubber seal
- Sprinkler head fixing with cover in matching color
- LED lights flush built-in
- Special cleanroom adoption of ceiling height differences



CEILING PANEL
1200x600



CEILING PANEL
600x600

